

H7E

DIN Size W48 x H24mm

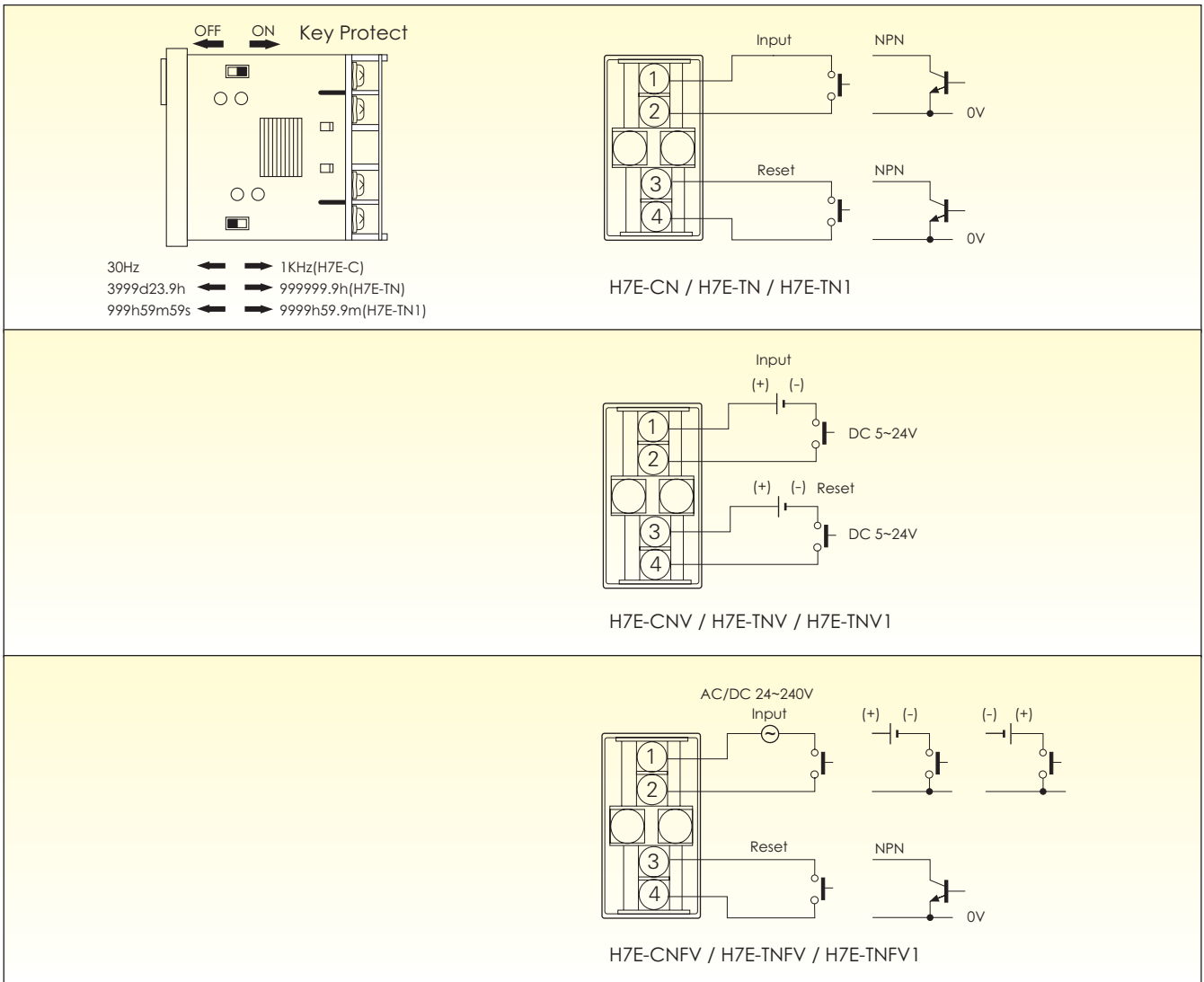
- H7E-C□ is a 8-digit total counter
- Three input type : Non-voltage(contact, transistor), Voltage, Free voltage
- H7E-C□ can select 30Hz and 1KHz speed by DIP switch
- H7E-CNVF can replace electro-magnetic counter
- H7E-T□ is a 7-digit time counter
- H7E-TN time range: 999999.9h/3999d23.9h
H7E-TN1 time range: 999h59m59s/9999h59.9m



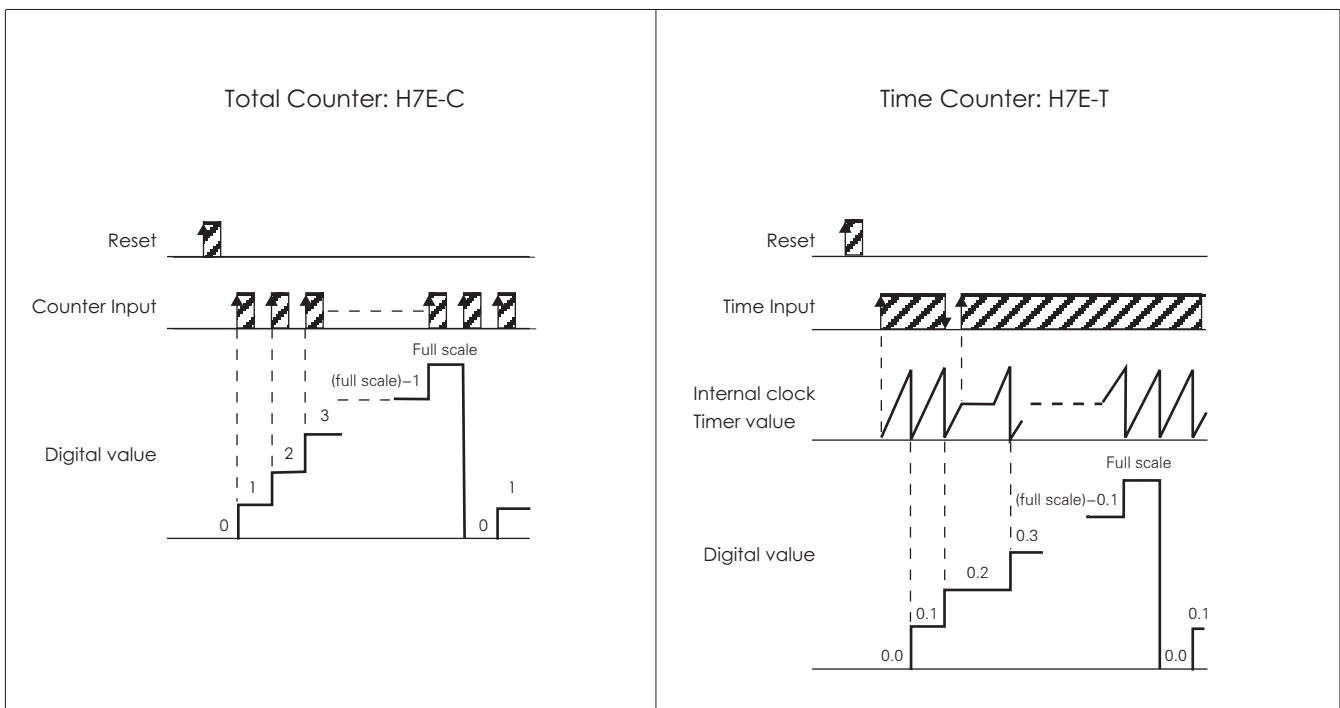
SPECIFICATIONS & CHARACTERISTICS

FUNCTION	8 Digit total counter					
DIMENSIONS(mm)	Flush : 24H x 48W x 49.5D					
INPUT TYPE	H7E-CN	H7E-CNV		H7E-CNVF		
	Non-voltage(Contact, Transistor)	DC 5~24V		AC/DC 24~240V		
RESET METHOD	Non-voltage(Contact, Transistor)	DC 5~24V		Non-voltage(Contact, Transistor)		
FUNCTION	7 Digit time counter					
DIMENSIONS(mm)	Flush : 24H x 48W x 49.5D					
INPUT TYPE	H7E-TN	H7E-TNV	H7E-TNFV	H7E-TN1	H7E-TNV1	H7E-TNFV1
	Non-voltage (Contact, Transistor)	DC 5~24V	AC/DC 24~240V	Non-voltage (Contact, Transistor)	DC 5~24V	AC/DC 24~240V
DISPLAY TIME	999999.9h/3999d23.9h			999h59m59s/9999h59.9m		
BATTERY LIFE	7 Years Min.					
RESET METHOD	Non-voltage (Contact, Transistor)	DC 5~24V	Non-voltage (Contact, Transistor)	Non-voltage (Contact, Transistor)	DC 5~24V	Non-voltage (Contact, Transistor)
AMBIENT TEMPERATURE	-10°C~ + 55°C					
AMBIENT HUMIDITY	45~85%RH					
WEIGHT	Approx. 65g					

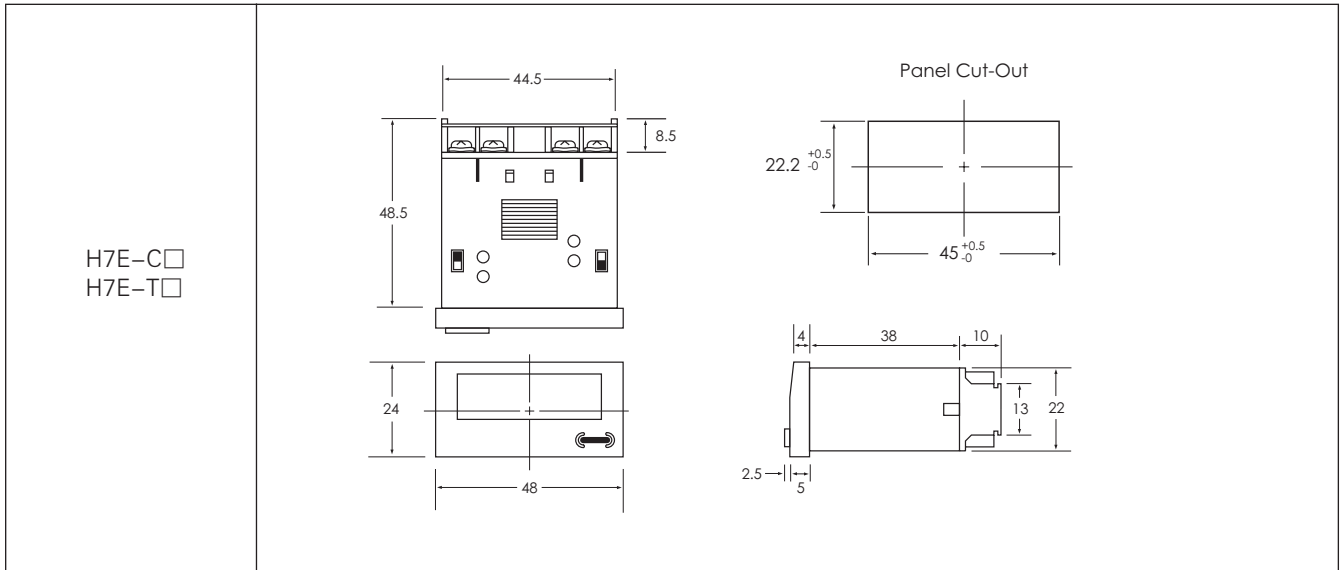
CONNECTION DIAGRAMS



TIMING CHARTS



DIMENSIONS



ADAPTER

