

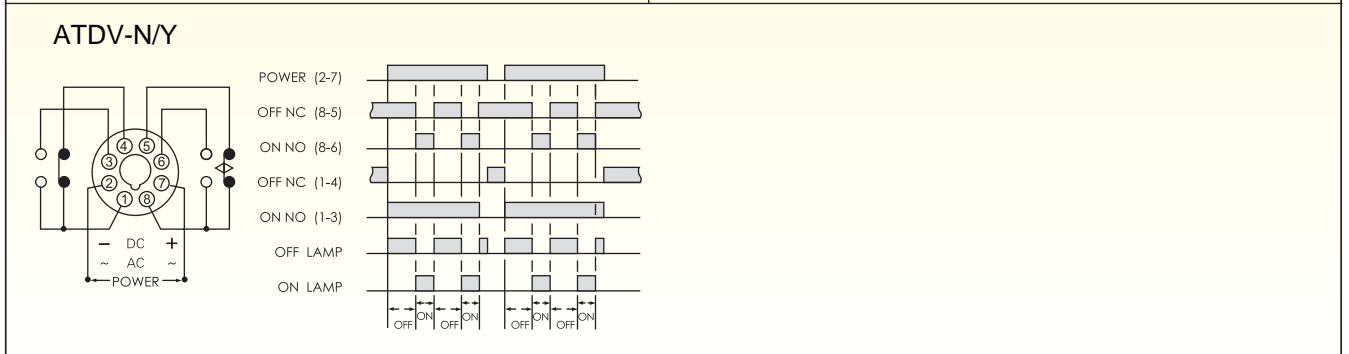
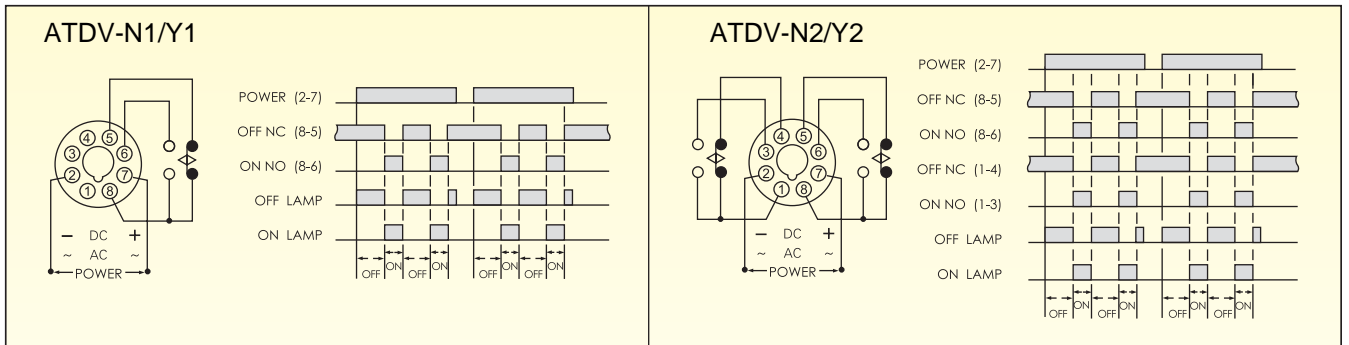


- Using CMOS IC lower power consumption high reliability and stability
- ON-OFF timing adjustable individually repeat operation
- Two LEDs provide status indication for ON-OFF operations
- 16 different time ranges from 0.1sec to 24hrs available

## SPECIFICATIONS

FULL TIME RANGE		6S x 6S, 6S x 60S, 60S x 6S, 60S x 60S 6M x 6M, 6M x 60M, 60M x 6M, 60M x 60M Longest time 24Hours upon clients' request		
RATED VOLTAGE		DC(V): 12, 24, 48 AC(V): 12, 24, 48, 110, 220,240, 380, 415, 440, 50/60Hz		
INDICATOR OPERATING		OFF-ON Operating		
o/p C O N T A C T	MODEL	ATDV-N1/ATDV-Y1	ATDV-N2/ATDV-Y2	ATDV-N/ATDV-Y
	TIME LIMIT 1C	5A		5A
	TIME LIMIT 2C		5A	
	INSTANTANEOUS 1C			5A
LIFE	MECHANICAL	5 x 10 <sup>6</sup> times		
	ELECTRICAL	10 <sup>5</sup> times		
RESET TIME		0.2 sec max		
CONSUMED POWER		2VA		
AMBIENT TEMPERATURE		-10°C~ + 55°C		
AMBIENT HUMIDITY		45~85%RH		
WEIGHT		Approx. 220g		

## CONNECTION DIAGRAMS & TIMING CHARTS



## DIMENSION

