

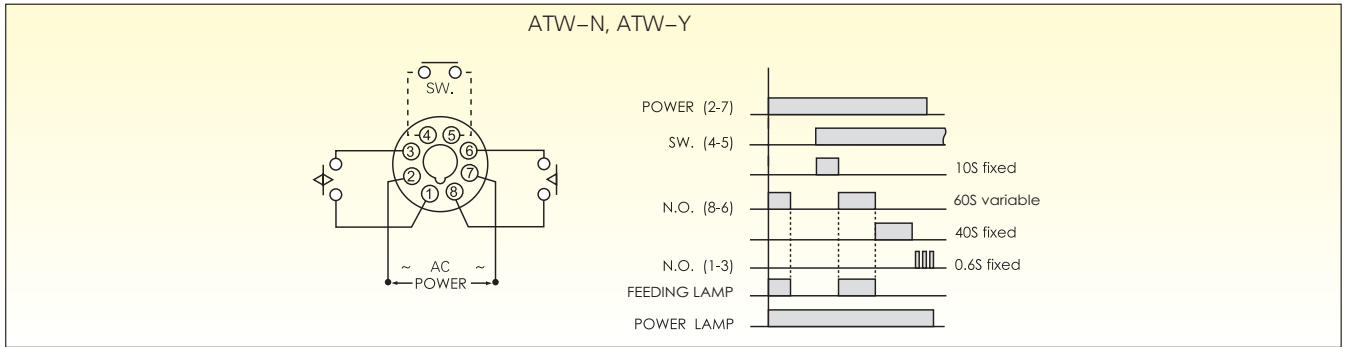


- Special Design for Feeding Controller
- Using CMOS IC, Accurate and stable operation
- High repeat accuracy  $\pm 1\%$
- Power-Feeding Two indicator lamp

## SPECIFICATIONS

FULL TIME RANGE		60 sec.	
RATED VOLTAGE		AC(V): 110, 220, 240, 380, 415, 440, 50/60Hz	
INDICATOR OPERATING		Power-Feeding Two indicator lamp	
o/p C O N T A C T	MODEL	ATW-N	ATW-Y
	TIME LIMIT 1C		
	TIME LIMIT 2C	5A	5A
	INSTANTANEOUS 1C		
LIFE	MECHANICAL	5 x 10 <sup>6</sup> times	
	ELECTRICAL	10 <sup>5</sup> times	
RESET TIME		0.5 sec max	
CONSUMED POWER		2VA	
AMBIENT TEMPERATURE		-10°C~ + 55°C	
AMBIENT HUMIDITY		45~85%RH	
WEIGHT		Approx. 230g	

## CONNECTION DIAGRAMS & TIMING CHARTS



## DIMENSION

