

# Over Voltage Protector

HDP "three-phase delay resettable over/under voltage protection device" is our new generation of protection device according to the current power of good business. Protected by the electronic circuit, using modular standard production, performance and reliability. It works fine in abnormal circumstances. When the mains voltage is above or below the protector working voltage, cut off the circuit protector can be quickly and reliably in order to protect the safety of electrical appliances. When the mains voltage is restored, protector will automatically power up, power has been restored, all of the functions automatically, without operator.



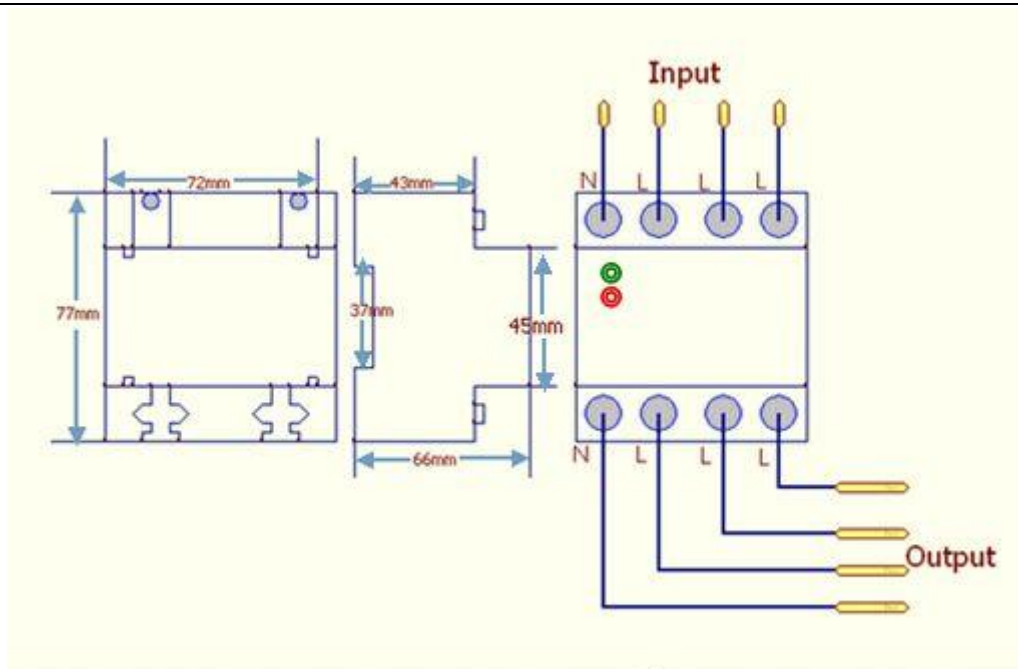
Product status: when the green light is lit, the voltage under normal operating conditions, when the red light is on in a State of overvoltage and undervoltage protection.

This series, look beautiful, by loading structure of Qin and DZ47 (C45) Guide General.

+ SPECIFICATIONS	
Rated Exchange Voltage	380V/50Hz
Through Maximum Current	32A,40A,50A,and 63A(resistance sex)
Maximum Load Power	12.16KVA,15.2KVA,19KVA and 23.94KVA
Had Pressure Action Cut Value	445 to 475V/AC
Owes Pressure Action Cut Value	285 to 315V/AC
Had Pressure Recovery Value	455 ± 5V/AC
Owes Pressure Reply Value	330 ± 5V/AC
Power Hou Transmission Delay	20 SEC to 2 MIN (can selected)
Action Delay Time	1 to 6 SEC
Own-Power	<2W
Electrical Machinery Life	>100,000 times
Size	77x72x66mm(length x width x height)
Installation	35mm Rail mounting

# Over Voltage Protector

## Wiring & Dimensions



## Internal structure

