

Over Voltage Protector

HDP" household resettable digital delay over/under voltage protection device" is the next-generation appliances made by companies under the current power good protection. Protected by the electronic circuit, using modular standard production, performance and reliability. It works fine in abnormal circumstances. When mains voltage exceeds the protector working voltage, cut off the circuit protector can be quickly and reliably in order to protect the safety of household electrical appliances. When the mains voltage is restored, protector will automatically power up, power has been restored, all of the function automatically, without operator.



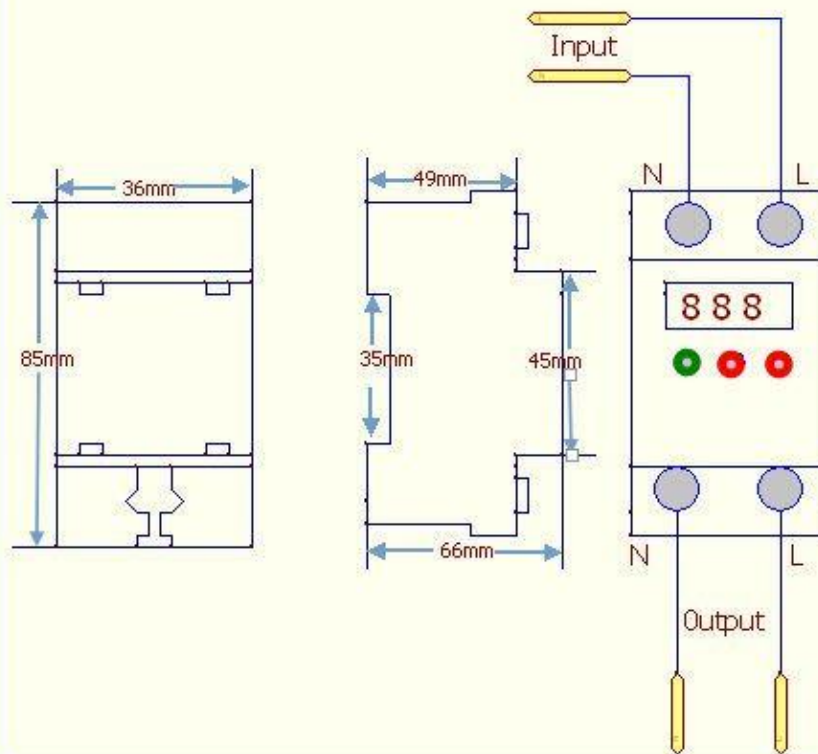
Product status: lights on the Panel when the product is in normal working, running, when the intermediate product is in under-voltage protection status when the red light is lit, when the red light is lit on the right product in a State of overvoltage protection. Panels were indeed working voltage is the voltage shown above.

This series, look beautiful, by loading structure of Qin and DZ47 (C45) Guide General.

+ SPECIFICATIONS	
Rated Exchange Voltage	220V/50Hz
Through Maximum Current	Max 63A (resistance sex)
Maximum Load Power	13.86KVA
Had Pressure Action Cut Value	265 to 275V/AC
Owes Pressure Action Cut Value	165 to 175V/AC
Had Pressure Recovery Value	255±5V/AC
Owes Pressure Reply Value	185±5V/AC
Power Hou Transmission Delay	20 SEC to 2 MIN (can selected)
Action Delay Time	1 to 6 SEC
Own-Power	<2W
Electrical Machinery Life	>100,000 times
Size	85x36x66mm(length x width x height)
Installation	35mm Rail mounting

Over Voltage Protector

Wiring & Dimensions



Internal structure

