

Over Voltage Protector

HDP "home delay resettable over/under voltage protection device" is the next-generation appliances made by companies under the current power good protection. Protected by the electronic circuit, using modular standard production, performance and reliability. It works fine in abnormal circumstances. When the mains voltage is above or below the protector working voltage, cut off the circuit protector can be quickly and reliably in order to protect the safety of household electrical appliances. When the mains voltage is restored, protector will automatically power up, power has been restored, all of the functions automatically, without operator.



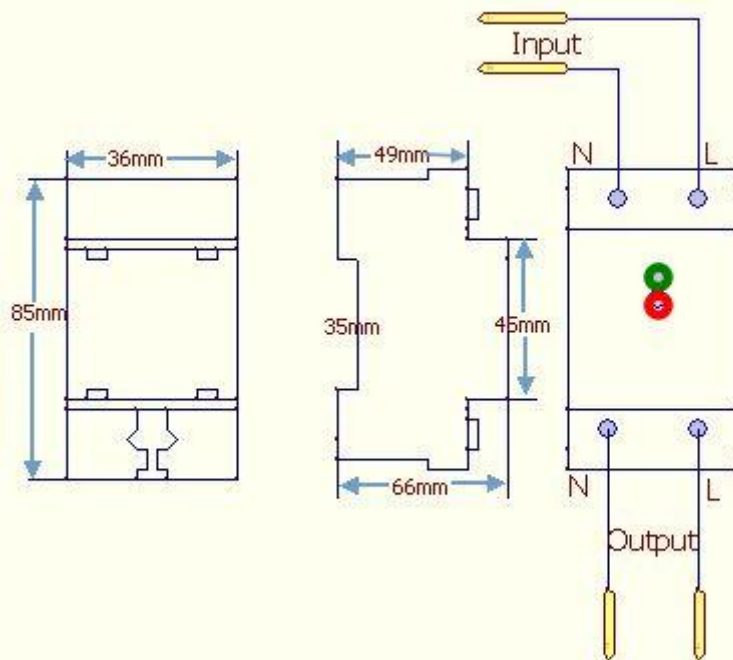
Product status: when the green light is lit, the voltage under normal operating conditions, when the red light is on in a State of overvoltage and undervoltage protection.

This series, look beautiful, by loading structure of Qin and DZ47 (C45) Guide General.

+ SPECIFICATIONS	
Rated Exchange Voltage	220V/50Hz
Through Maximum Current	20A,25A,32A,40A,50A,and 60A(resistance sex)
Maximum Load Power	4.4KVA,5.5KVA,6.6KVA,8.8KVA,11KVA and 13KVA
Had Pressure Action Cut Value	265 to 275VAC
Owes Pressure Action Cut Value	165 to 175VAC
Had Pressure Recovery Value	255 ±5VAC
Owes Pressure Reply Value	185 ±5VAC
Power Hou Transmission Delay	20 SEC to 2 MIN (can selected)
Action Delay Time	1 to 6 SEC
Own-Power	<2W
Electrical Machinery Life	>100,000 times
Size	85x36x66mm (length x width x height)
Installation	35mm Rail mounting

Over Voltage Protector

Wiring & Dimensions



Internal structure

