

ATP1006-6 Time switch with holidays

1. Function and Scope

ATP1006-6 time switch (hereinafter referred to as 'time switch') is applicable for regularly controlling switch-on and off of circuit, this product can control 2 channels output, each channel can be set up 7 groups time, time range for 1 second - 1 week.

The product complies with the requirements of Standard GB 14048.5 and IEC 60947-5-1.

2. Main Technical Parameters

2.1 Rated control power voltage: 12V,24VDC and 110V,220V,230VAC.

2.2 Conventional thermal current: Ith 10A.

2.3 Category of the control circuit: AC-1.

2.4 Rated working current (Ie): AC-1 220V 10A.

2.5 Timing error: $\leq 1s/d$.

2.6 control load:2 loads.

2.7 Set number of time: 7 groups.

2.8 Time control scope: 1sec~168h.

2.9 Mechanical life: $\geq 30,000$ times.

2.10 Electric endurance: $\geq 10,000$ times.

2.11 Installation method: Device installed, guide tracked.

3 Outline, Installation Dimension and Wiring Method

3.1 Outside dimension and installation dimension see Figure 1.

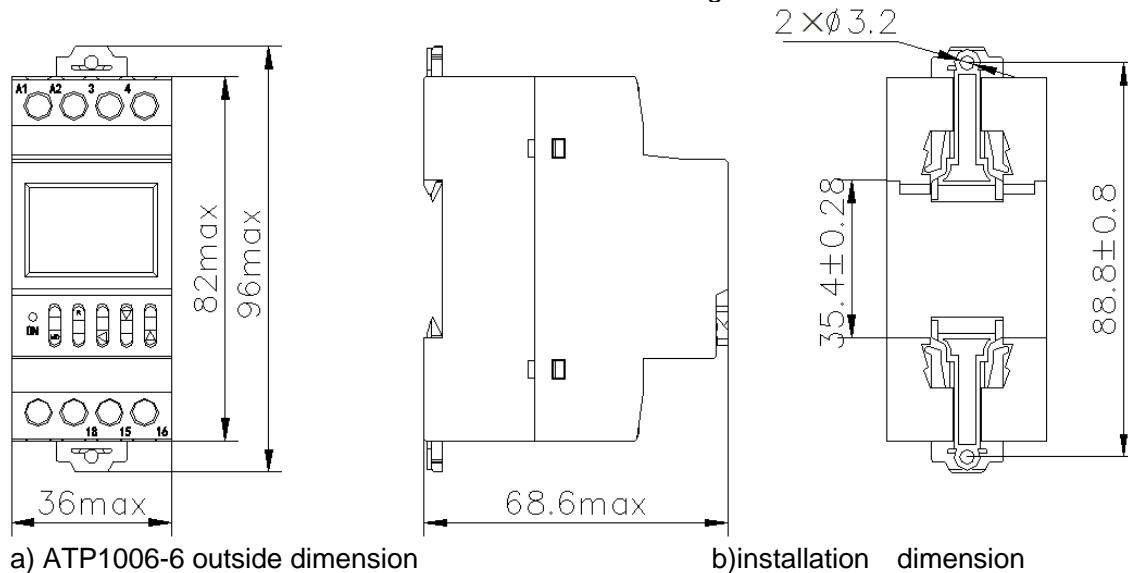


Figure 1 Outside dimensions and installation dimensions of ATP1006-6

3.2 Wiring method

3.2.1 Direct control method

Power of the controlled appliance is supplied in single-phase, of which the working current is no more than the rated value of this switch. Direct control method may be adopted, wiring method see Figure 2; for light load with great starting current impact, please adopt AC contactor expansion control method.

Note: if the first load is switch on, it will output the 220vac voltage between terminals 3 & 4, the second load between terminals 15 & 16.

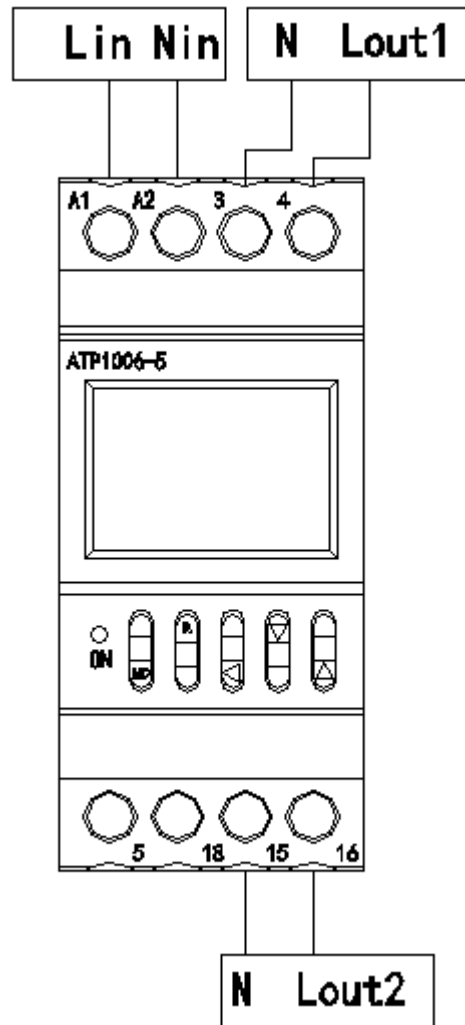


Figure 2 Direct single-phase controlled
Figure 3 Single-phase expansion controlled wiring diagram

4 Setting and Use

This product panel is set with five buttons, namely 'MD (mode)', 'R (recall)', '◀(shift)', '▶ (-)' and '△ (+)'.

4.1 Press the 'R' button 3 seconds to wake / sleep LCD. Setting process for timing switch parameters see Figure 3.

4.1.1 Press button 'MD' for 3s to cancel the keyboard lockout, so that 'LOCK' may disappear, Press 'shift' to select the adjusted position and press '+' and '-' to plus and minus, so as to adjust the display time to the current time, see Figure 4.

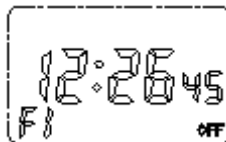


Figure4

4.1.2 Timing parameters (switch-on/off time) setting

4.1.2.1 After finish operation 4.1.1, press 'MD' to set the timing parameters, see Figure5.

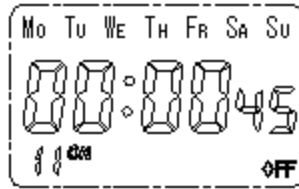


Figure5

4.1.2.2 11ON (first way first switch-on time) setting: press 'shift', '+' or '-' respectively to set 11ON time and date mode, after setting, press 'MD' to enter 11OFF (first way first switch-off time) setting, see Figure 6. (Note:11on, the first 1 standard 1 way, the second 1 standard the first group time.)

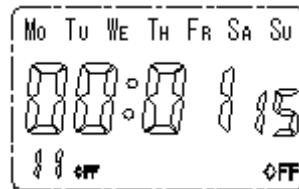


Figure6

4.1.2.3 11OFF (first way first switch-off time)setting: set 11OFF time according to steps specified in 4.1.2.2.

Continue to press 'MD', the screen will display 12ON,12OFF ... 27ON, 27OFF, set switch time and date model of other groups by referring to the above steps. For redundant time period, please press 'R' to remove the time of other groups, so that the liquid-crystal display

will show '  ', see Figure 7, and then, press 'R' to recall.

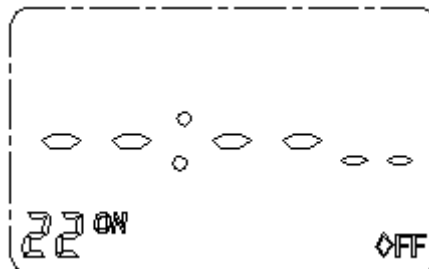


Figure7

4.1.3 After setting, press 'MD' for 3s, enter operation state, the time switch locks automatically, 'LOCK' shows, and see Figure 8.

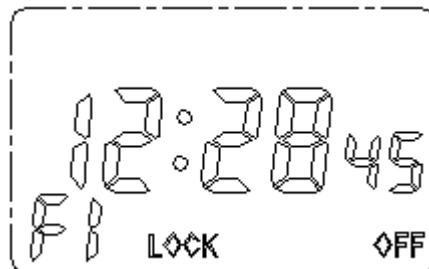


Figure8

4.2 The way selection

4.2.1 Press "R" key in the clock status, can check the working condition of F1-F5 five road.

The bottom left corner of the screen indicates the F1 is the first road state.

4.2.2 After locking the switch, press 'MD' and '+' at the same time to switch manual/automatic status. Continuously press them together, the screen will show 'AUTO OFF', 'ON', 'ON AUTO' and 'OFF' successively, see Figure 9. When the circuit shall be on and off temporarily in the process of operation, the combination buttons can be used to adjust the switch to ON

and OFF; if the time switch shall work automatically according to the set time, the combination button shall be used to adjust the switch to 'ON AUTO', then the time switch may work as set, so as to achieve automatic control.

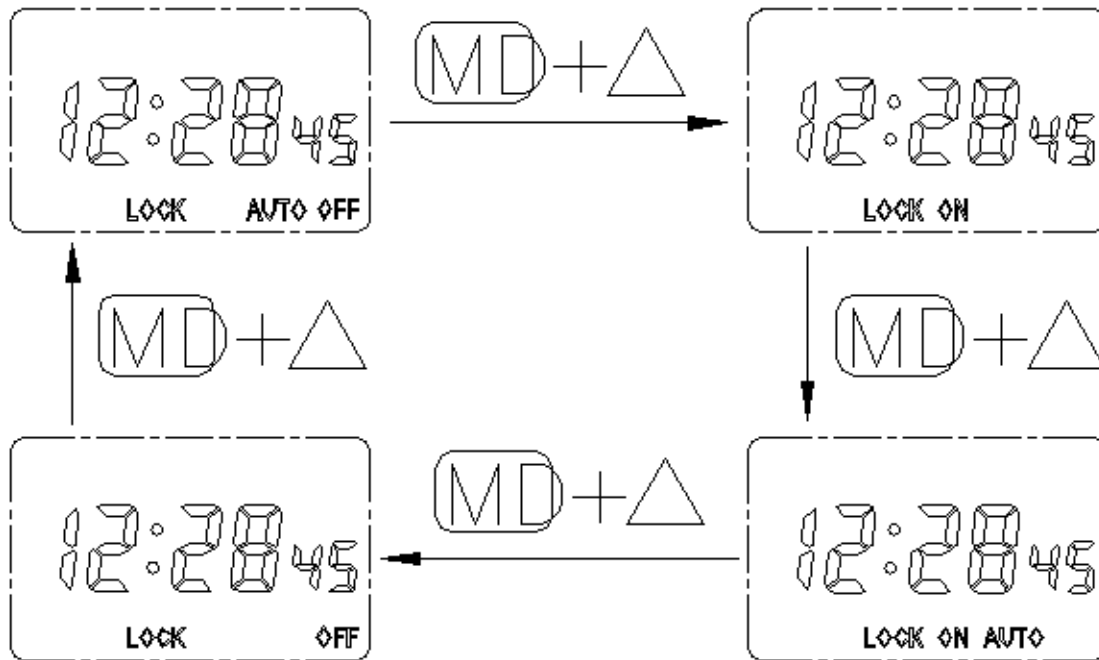


Figure9 Manual/automatic setting process

5 Notes

5.1 please push the blue limiting piece in the bottom of product before work.

5.2 Press the 'R' button 3 seconds to wake / sleep LCD.

5.3 The switch into the line can only be connected to 220VAC power supply; do not access the other power.

5.4 Press the '+', '-' key long time can be quickly set.

5.5 If could not achieve automatic control function, please check whether an 'AUTO' show in the lower right corner of the screen.

5.6 The internal battery only provides the LCD screen display and setting, such as A1, A2 terminal auxiliary power missed. It is unable to drive the relay output.

5.7 When the product life ended, to protect our environment, please do recycle work for those components which can be used again, and make sure those waste and useless parts are properly and safely disposed of.

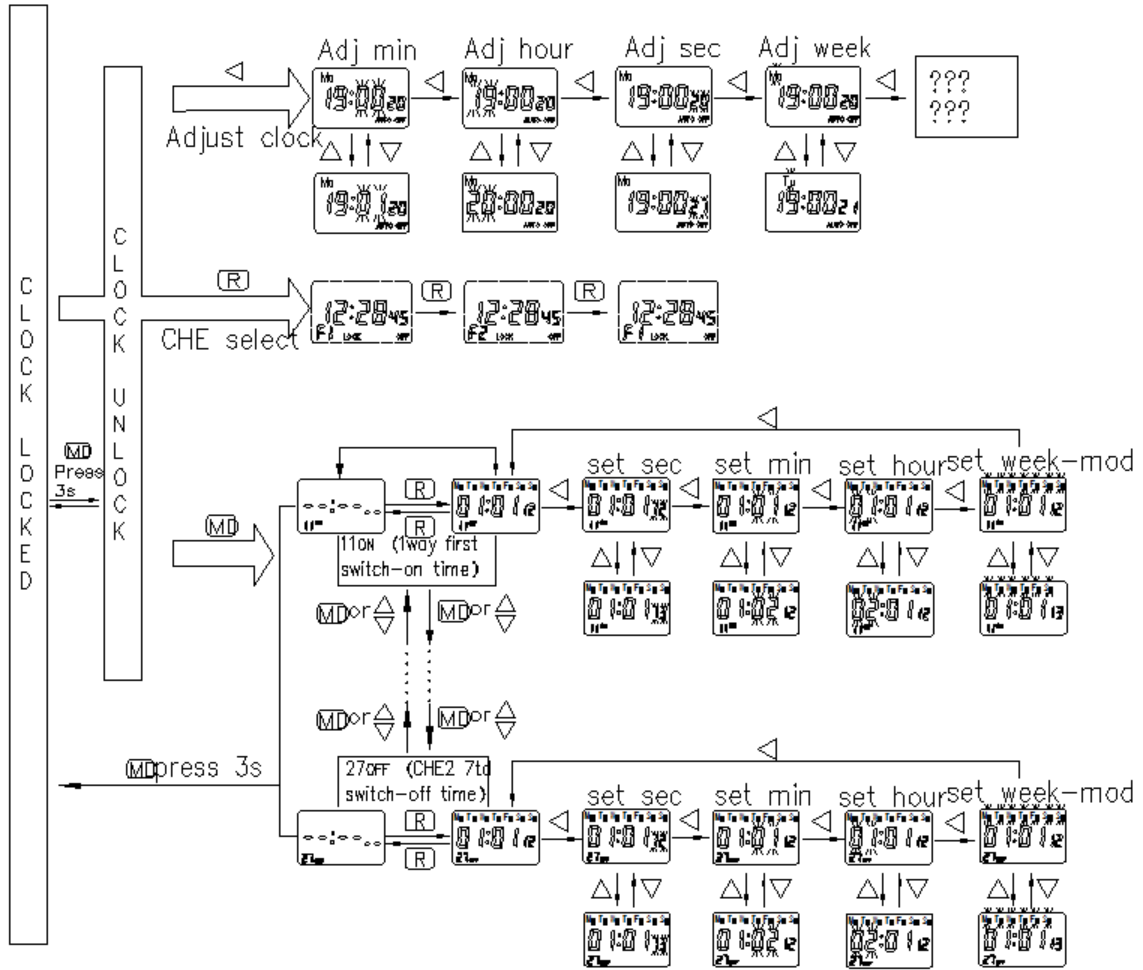


Figure3 ATP1006-6 TIME SWITCH Setting proces