

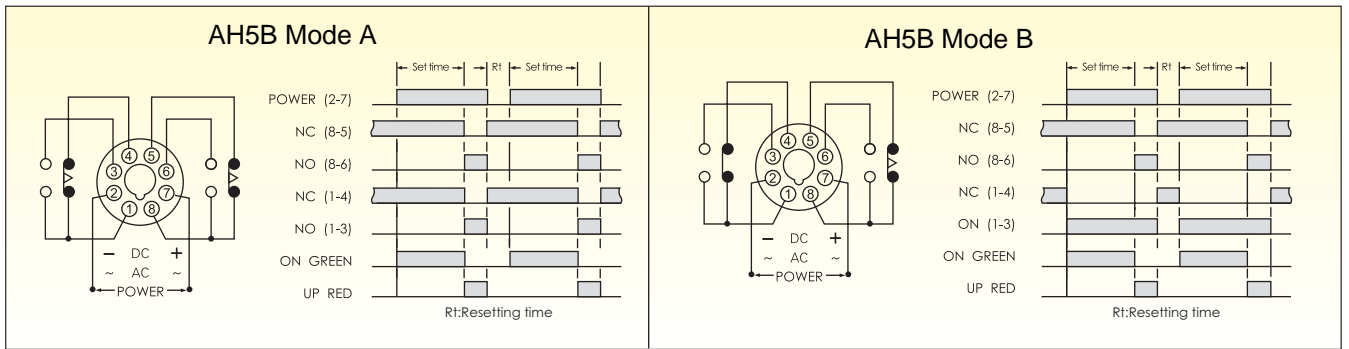


- DIN Size W48 x H48mm
- Wide operating voltage range from AC/DC 24V~240V
- Using CMOS IC, Accurate and stable operation
- 5(A, B, C, D, E) timing series available
- Output contact 2C delay or 1C delay with 1C instantaneous can select by pushing "MODE" switch to A or B
- Bi-Color LED provides status indication for power ON and time UP
- Flush mount with Type Y-50+P3G-08 and Surface mount with Type P2CF-08 Socket

SPECIFICATIONS

FULL TIME RANGE		A : 1S, 10S, 1M, 10M B : 3S, 30S, 3M, 30M C : 6S, 60S, 6M, 60M D : 1M, 10M, 1H, 10H E : 3M, 30M, 3H, 30H	
MODEL		AH5B- □	
RATED VOLTAGE		DC(V): 12, 24, 48 AC(V): 12, 24, 48, 110, 220, 240, 380, 415, 440, 50/60Hz	
INDICATOR OPERATING		ON-Green UP-Red	
o/p C O N T A C T	MODEL	mode A	mode B
	TIME LIMIT 1C		5A
	TIME LIMIT 2C	5A	
	INSTANTANEOUS 1C		5A
LIFE	MECHANICAL	5 x 10 ⁶ times	
	ELECTRICAL	10 ⁵ times	
RESET TIME		0.1 sec max	
CONSUMED POWER		2VA	
AMBIENT TEMPERATURE		-10°C~ + 55°C	
AMBIENT HUMIDITY		45~85%RH	
WEIGHT		Approx. 170g	

CONNECTION DIAGRAMS & TIMING CHARTS



DIMENSION

